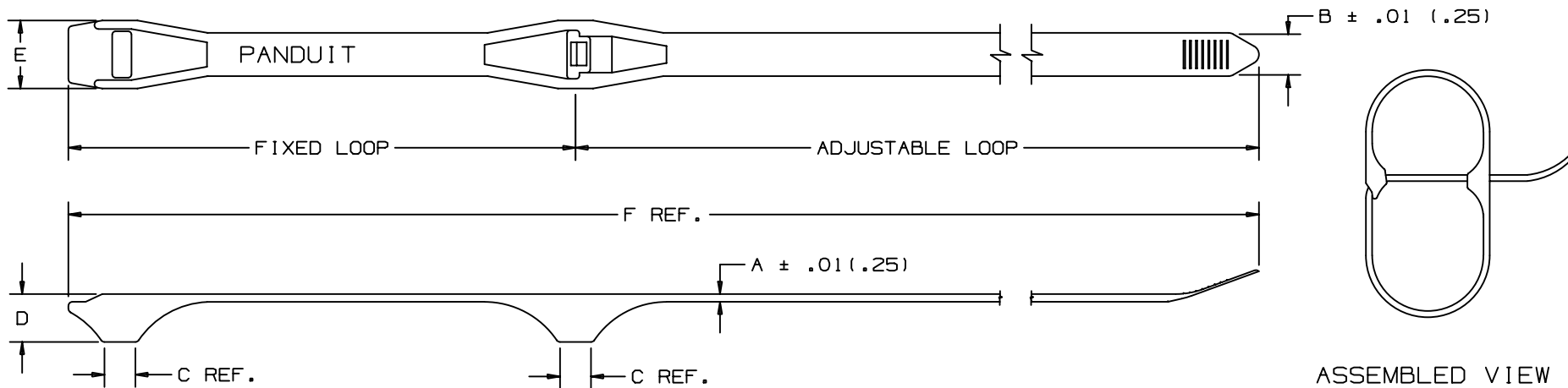


THIS COPY IS PROVIDED ON A RESTRICTED BASIS AND IS NOT TO BE USED IN ANY WAY DETRIMENTAL TO THE INTERESTS OF PANDUIT CORP.



PANDUIT PART NUMBER*	LOOP DIAMETER		A in (mm)	B in (mm)	C in (mm)	D in (mm)	E in (mm)	F in (mm)	MIN. LOOP TENSILE lbs (N)	TIP STYLE	WEIGHT lbs / 100 (g) / 100 PCS.	GS4H TOOL SETTING
	FIXED in (mm)	ADJUSTABLE in (mm)										
DHC1.12X 1.75	1.12 (28.4)	1.0 TO 1.75 (25.4 TO 44.45)	.050 (1.3)	.280 (7.1)	.23 (5.8)	.31 (7.9)	.44 (11.2)	11.0 (279)	100 (445)	CURVED	.75 (340)	4

NOTES:

- \* 1. SEE CURRENT PRICE SHEET FOR PART NUMBER SUFFIX DESIGNATION FOR PACKAGE SIZE.
- 2. COLOR: BLACK

CAD FILENAME/LAYERS										DIMENSIONS IN PARENTHESES ARE IN METRIC UNITS		
										PANDUIT CORP. TINLEY PARK, ILLINOIS		
										DOUBLE HOSE CLAMP-DHC1.12 X 1.75		
										UNLESS OTHERWISE SPECIFIED, DIMENSIONAL TOLERANCES ARE: (.X) ± .1 (2.5) (.XXX) ± (.XX) ± .02 (.51) ANGLES ±		UNLESS OTHERWISE SPECIFIED, ALL DIMENSIONS ARE GIVEN IN INCHES, THIRD ANGLE PROJECTION.
										DRAWN BY KET	MAT'L: NYLON 6/6 WEATHER RESISTANT	
										SCALE NONE		
5	12/23/03	JABC		CORRECTED METRIC CONVERSION OF ADJ. LOOP DIA		SS-6483	5			DATE 6/2/95	DRAWING NO. SS-6482	DWG A SIZE
REV	DATE	BY	CHK	DESCRIPTION			ECN - R	CUST	SUP	CHK'D HVP		